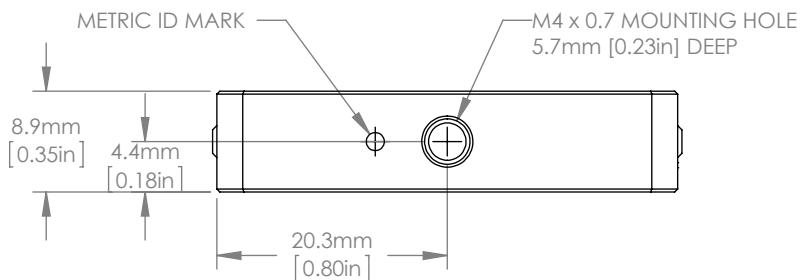
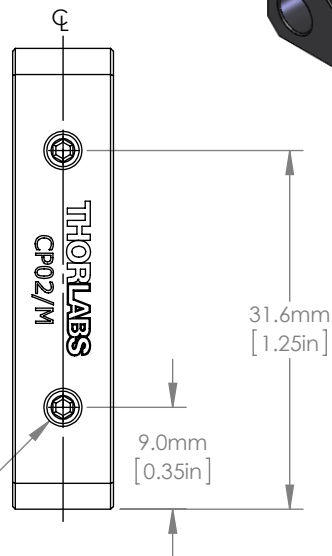


#4-40 LOCKING SET SCREW
0.050in [1.3mm] HEX
2 PLACES
BOTH SIDES

SM1 (Ø1.035-40) SERIES INTERNAL THREAD THRU
(2) SM1 RR RETAINING RING INCLUDED
Ø22.9mm (Ø0.90in) CLEAR APERTURE



FOR INFORMATION ONLY
NOT FOR MANUFACTURING PURPOSES

DRAWING PROJECTION			 www.thorlabs.com THREADED 30mm METRIC CAGE PLATE	
NAME	DATE			
DRAWN	DW	04/MAY/95	MATERIAL N/A	
APPROVAL	AC	04/MAY/95		
COPYRIGHT © 2014 BY THORLABS			ITEM #	APPROX WEIGHT
VALUES IN PARENTHESIS ARE CALCULATED AND MAY CONTAIN ROUND OFF ERRORS			CP02/M	0.03 kg
			REV	G